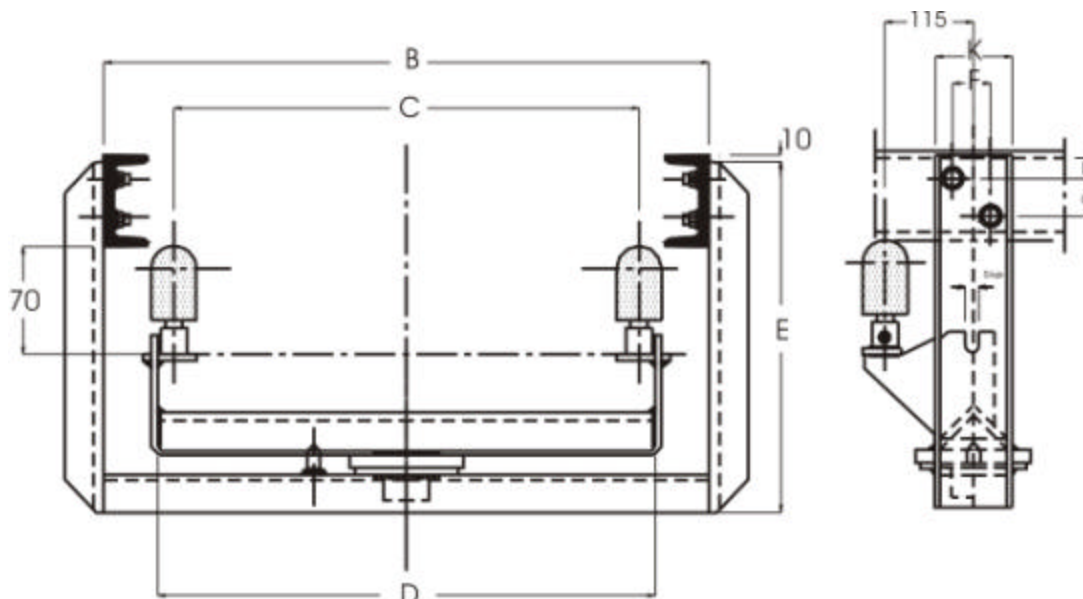


## SOPORTES INFERIORES

### AUTOCENTRADORES



K: Banda 400 y 500 UPN - 80  
 Banda 650 a 1000 UPN - 100  
 Banda 1200 y 1400 UPN - 120

| Ancho de banda | B    | C    | D    | Ø RODILLO | E   | F  | G  | H    | PESO    |
|----------------|------|------|------|-----------|-----|----|----|------|---------|
| 400            | 700  | 500  | 510  | 60        | 335 | 20 | 35 | 22,5 | 20 Kgs. |
|                |      |      |      | 63,5      | 335 |    |    |      |         |
|                |      |      |      | 70        | 345 |    |    |      |         |
|                |      |      |      | 89        |     |    |    |      |         |
| 500            | 800  | 600  | 610  | 60        | 335 | 20 | 35 | 22,5 | 21 Kgs. |
|                |      |      |      | 63,5      | 335 |    |    |      |         |
|                |      |      |      | 70        | 345 |    |    |      |         |
|                |      |      |      | 89        |     |    |    |      |         |
| 650            | 950  | 750  | 760  | 60        | 360 | 35 | 50 | 25   | 29 Kgs. |
|                |      |      |      | 63,5      | 370 |    |    |      |         |
|                |      |      |      | 70        | 380 |    |    |      |         |
|                |      |      |      | 89        |     |    |    |      |         |
| 800            | 1150 | 900  | 960  | 89        | 370 | 35 | 50 | 25   | 32 Kgs. |
|                |      |      |      | 108       | 380 |    |    |      |         |
|                |      |      |      | 133       | 395 |    |    |      |         |
|                |      |      |      |           |     |    |    |      |         |
| 1000           | 1350 | 1100 | 1160 | 89        | 370 | 35 | 50 | 25   | 36 Kgs. |
|                |      |      |      | 108       | 380 |    |    |      |         |
|                |      |      |      | 133       | 395 |    |    |      |         |
|                |      |      |      |           |     |    |    |      |         |
| 1200           | 1600 | 1300 | 1410 | 108       | 400 | 50 | 65 | 27,5 | 55 Kgs. |
|                |      |      |      | 133       | 415 |    |    |      |         |
|                |      |      |      | 159       | 430 |    |    |      |         |
| 1400           | 1800 | 1500 | 1610 | 108       | 400 | 50 | 65 | 27,5 | 60 Kgs. |
|                |      |      |      | 133       | 415 |    |    |      |         |
|                |      |      |      | 159       | 430 |    |    |      |         |